

Qty. Description

1 **UPS2 32-80 180**



Note! Product picture may differ from actual product

Product No.: [98707855](#)

High-efficiency circulator pump with permanent-magnet motor (ECM technology) fit for the ErP directive No 641/2009 due to continuously variable speed control for circulation of clean heating water according to VDI 2035.

Features and benefits: UPS2 32-80 180

High-efficiency circulator pump with permanent-magnet motor (ECM technology) complying with the ErP directive No 641/2009 thanks to continuously variable speed control. Suitable for circulation of clean heating water according to VDI 2035.

Features and benefits:

- Complying with requirements of the ErP directive as from 2015.
- 1 pump replaces 3 variants.
- It is available as pump head without pump housing. Fits on all 4-m, 5-m and 6-m pump housings of the Series 100.
- For tight installations, i.e. in boiler applications.
- High energy savings thanks to an energy efficiency index (EEI) lower than 0.23.
- Complies with the German regulation on energy saving in buildings and building systems – Energieeinsparverordnung – EnEV §14(3).
- One button for simple selection among three proportional-pressure curves or three fixed speeds.
- No corrosion issues thanks to the electrocoated pump housing.
- Reduced installation costs as no external motor protection is required.

Liquid:

Pumped liquid: Water
 Liquid temperature range: 2 .. 95 °C
 Selected liquid temperature: 60 °C
 Density: 983.2 kg/m³

Technical:

TF class: 95
 Approvals on nameplate: CE,WEEE

Materials:

Pump housing: Cast iron
 EN-JL1020
 ASTM ASTM A48-25B
 Impeller: Composite, PES/PP

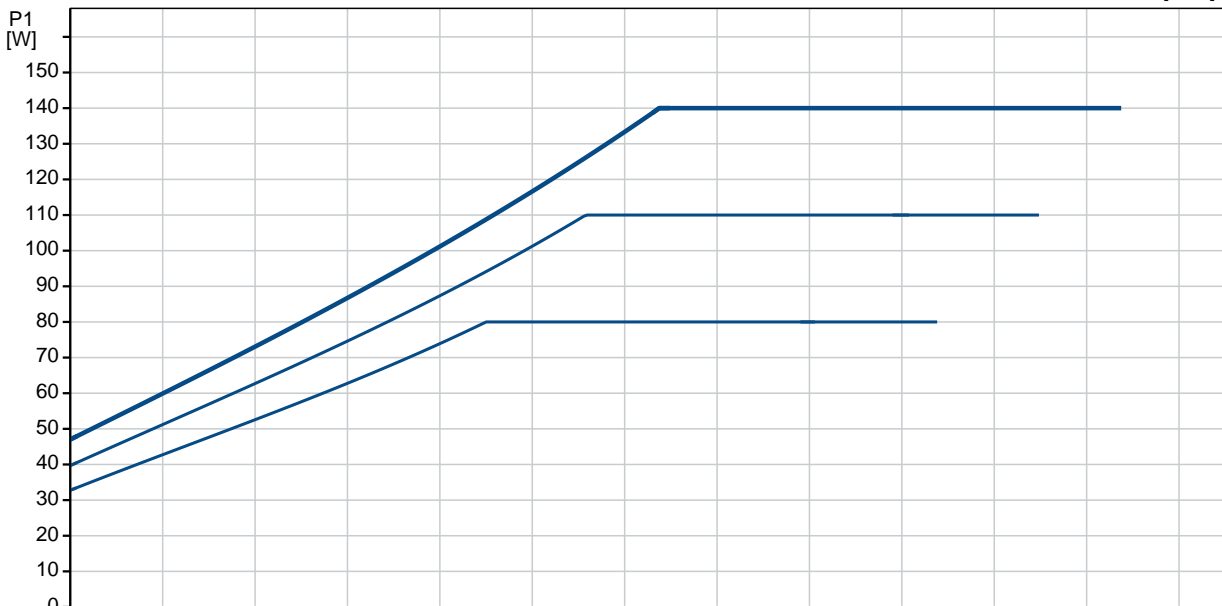
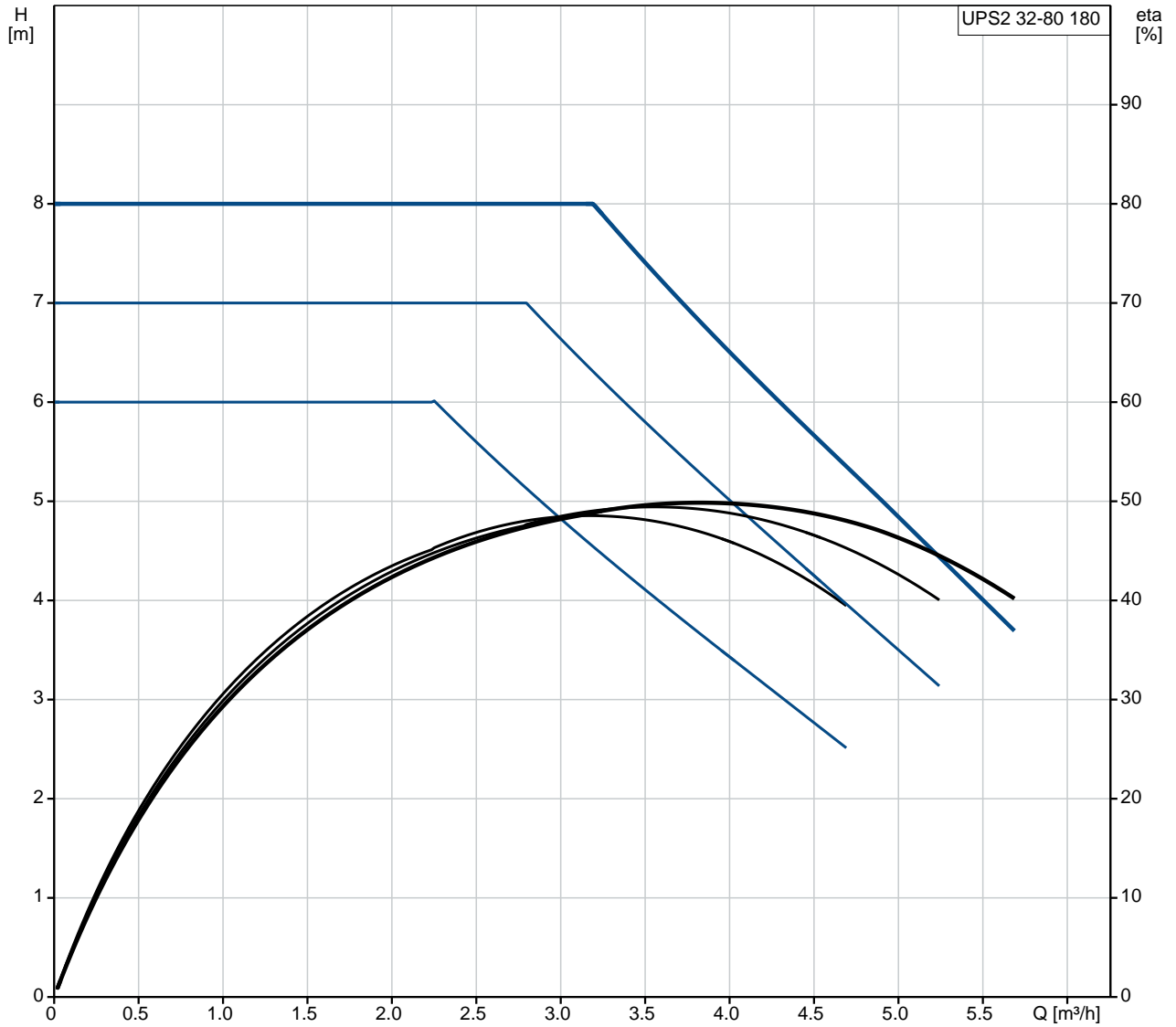
Installation:

Maximum operating pressure: 10 bar
 Pipe connection: G 2
 Pressure rating: PN 10
 Port-to-port length: 180 mm

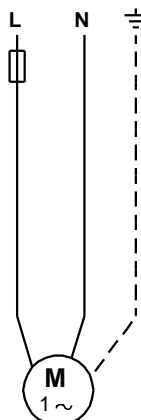
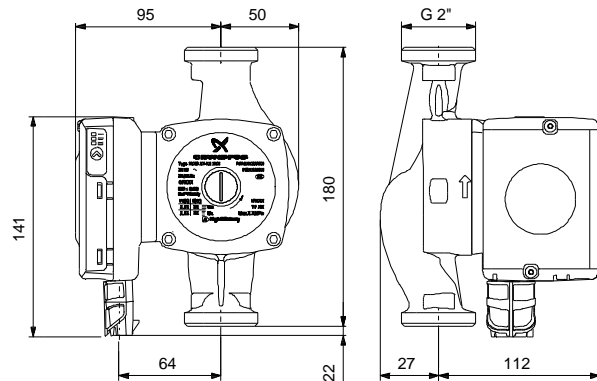
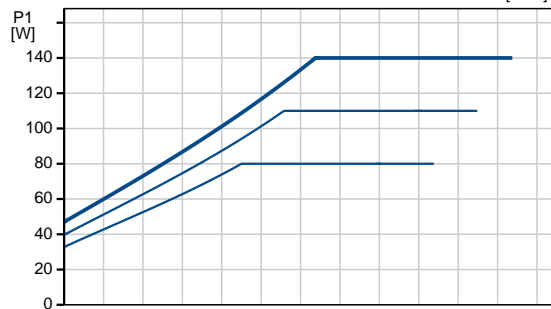
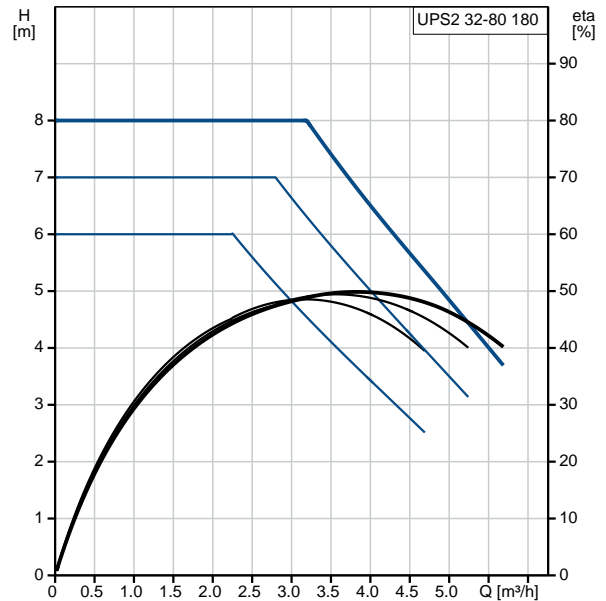
Qty.	Description
------	-------------

	<p>Electrical data: Power input - P1: 140 W Mains frequency: 50 / 60 Hz Rated voltage: 1 x 230 V Maximum current consumption: 0.1 .. 1.1 A Enclosure class (IEC 34-5): X2D Insulation class (IEC 85): F</p>
--	---

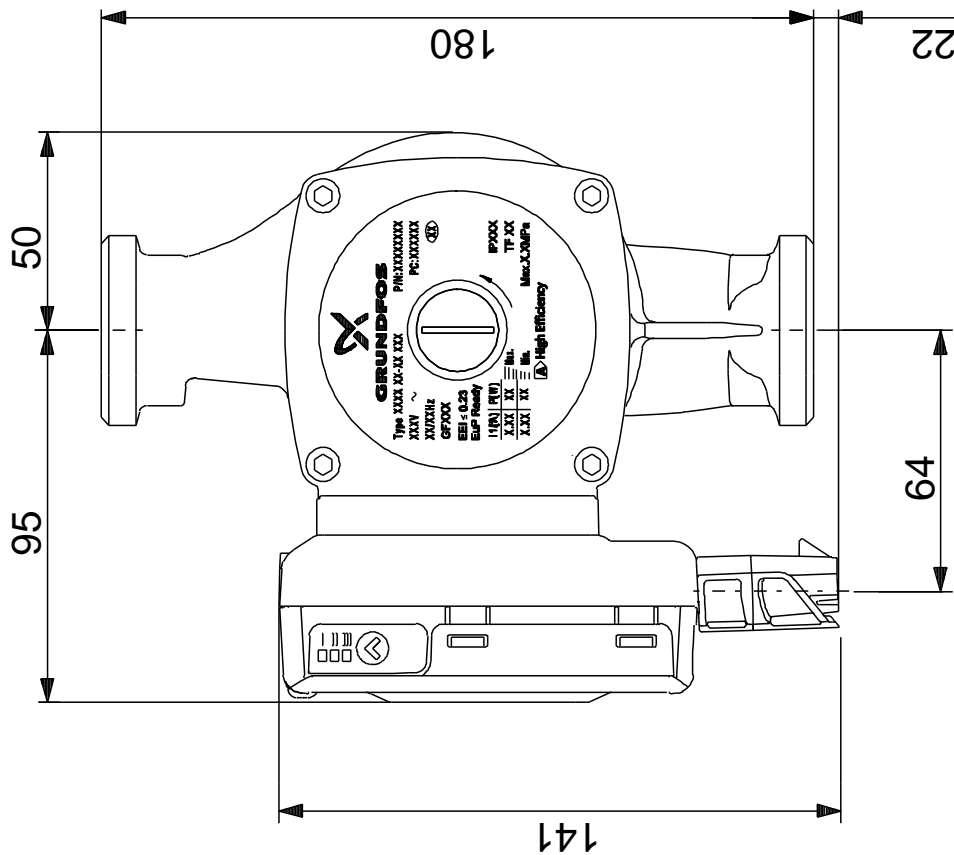
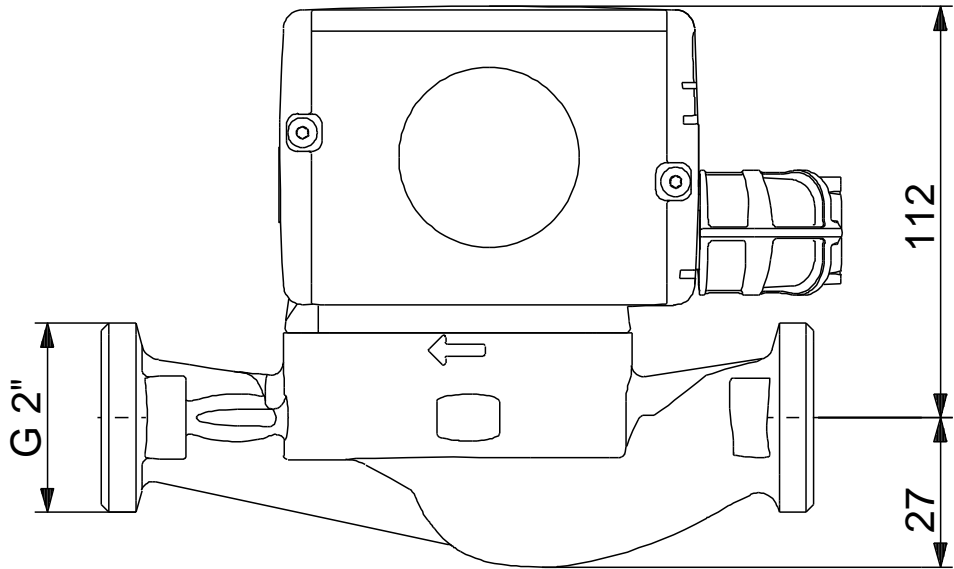
98707855 UPS2 32-80 180



Description	Value
General information:	
Product name:	UPS2 32-80 180
Product No:	98707855
EAN number:	5712600252028
Technical:	
Head max:	80 dm
TF class:	95
Approvals on nameplate:	CE, WEEE
Materials:	
Pump housing:	Cast iron
Pump housing:	EN-JL1020
Pump housing:	ASTM ASTM A48-25B
Impeller:	Composite, PES/PP
Installation:	
Maximum operating pressure:	10 bar
Pipe connection:	G 2
Pressure rating:	PN 10
Port-to-port length:	180 mm
Liquid:	
Pumped liquid:	Water
Liquid temperature range:	2 .. 95 °C
Selected liquid temperature:	60 °C
Density:	983.2 kg/m ³
Electrical data:	
Power input - P1:	140 W
Mains frequency:	50 / 60 Hz
Rated voltage:	1 x 230 V
Maximum current consumption:	0.1 .. 1.1 A
Enclosure class (IEC 34-5):	X2D
Insulation class (IEC 85):	F
Motor protec:	NONE
Thermal protec:	ELEC
Controls:	
Pos term box:	9H
Others:	
Energy (EEI):	0.23
Net weight:	2.85 kg
Gross weight:	2.86 kg
Shipping volume:	0.005 m ³
Finnish LVI No.:	4615176



98707855 UPS2 32-80 180



Note! All units are in [mm] unless others are stated.
Disclaimer: This simplified dimensional drawing does not show all details.

98707855 UPS2 32-80 180



Note! All units are in [mm] unless others are stated.